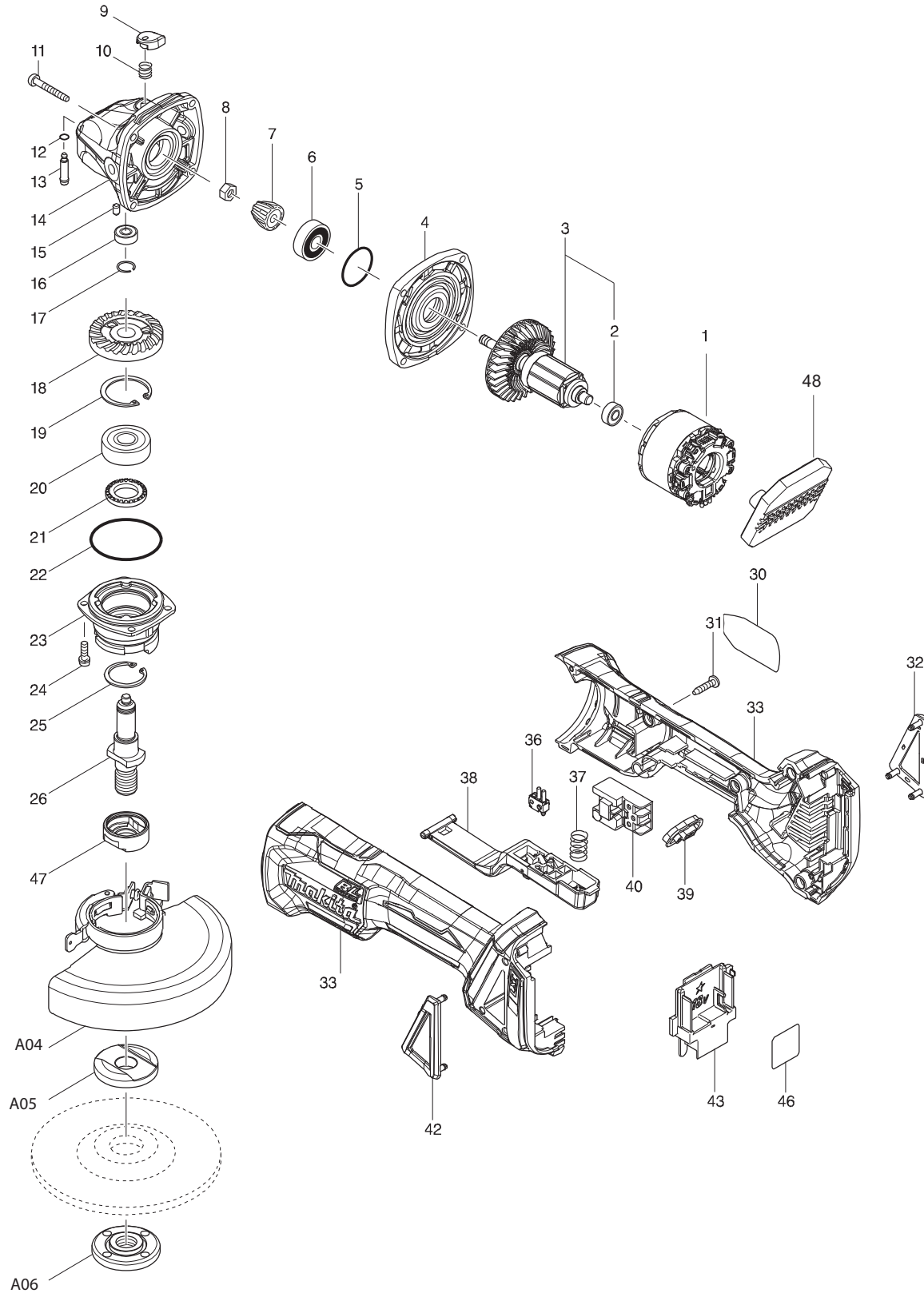




02 - 2016

DGA508

# 18V BL 5" Angle Grinder w/Electric Brake (Thumb Switch with Lock-On) (Tool Only)



Item No	Type	Sub	Part No.	Description	Qty	Unit
001	1		629203-3	* STATOR COMPLETE	1	PC.
	2		629B61-9	* STATOR	1	PC.
002	2		210169-4	BALL BEARING 607LLB	1	PC.
003	2		510329-1	ROTOR ASS'Y	1	PC.
		INC.		Item No. 2		
004			319214-3	GEAR HOUSING COVER	1	PC.
005			213445-5	O-RING 26	1	PC.
006			210042-8	BALL BEARING 629LLB	1	PC.
007	1		227541-3	* SPIRAL BEVEL GEAR 10	1	PC.
	2		226861-2	* SPIRAL BEVEL GEAR 10	1	PC.
008			252186-8	HEX. NUT M6	1	PC.
009			417771-6	PIN CAP	1	PC.
010			233072-2	COMPRESSION SPRING 8	1	PC.
011			266361-0	TAPPING SCREW 4X30	4	PC.
012			213960-9	O RING 5	1	PC.
013			256546-6	SHOULDER PIN 4	1	PC.
014			319213-5	GEAR HOUSING	1	PC.
015			263002-9	RUBBER PIN 4	1	PC.
016			210033-9	BALL BEARING 696ZZ	1	PC.
017			233950-6	RING SPRING 11	1	PC.
018	1		227641-9	* SPIRAL BEVEL GEAR 37	1	PC.
	2		226862-0	* SPIRAL BEVEL GEAR 37	1	PC.
019			962151-6	RETAINING RING R-32	1	PC.
020			211129-9	BALL BEARING 6201DDW	1	PC.
021			262153-5	FELT RING 16	1	PC.
022			213622-9	O RING 45	1	PC.
023			319399-5	BEARING BOX	1	PC.
024			911121-2	PAN HEAD SCREW M4X14	4	PC.
025			962105-3	RETAINING RING R-26	1	PC.
026			326670-0	SPINDLE A	1	PC.
030			852A28-8	NAME PLATE F/DGA508	1	PC.
031			266326-2	TAPPING SCREW 4X18	5	PC.
032			455450-8	DUST COVER R	1	PC.
033	2		183J40-4	MOTOR HOUSING SET	1	SET
		INC.				
			263005-3	RUBBER PIN 6	2	PC.
036			632E12-1	SWITCH UNIT	1	PC.
037			234357-9	COMPRESSION SPRING 11	1	PC.
038			142976-6	SWITCH LEVER COMPLETE	1	PC.
039			142901-7	INDICATOR PANEL COMPLETE	1	PC.
040			650734-1	SWITCH TG73BDS-2	1	PC.
042			455449-3	DUST COVER L	1	PC.
043			643899-6	TERMINAL	1	PC.
046			852A36-9	SERIAL NO. LABEL F/DGA508	1	PC.
047			310515-2	LEAD FLANGE A	1	PC.
048			620K34-9	* CONTROLLER (Added)	1	PC.
049			652119-7	* PH SCREW M2X6 (Added)	6	PC.
C01			877107-5	CARTON F/DGA508Z	1	PC.
E01			805C41-7	CAUTION LABEL	1	PC.

### **ACCESSORIES**

**- Visit [www.makita.ca](http://www.makita.ca) for more accessories information -**

A01			D-20797	5" D.C.W. A24R	1	PC.
A02			158237-4	GRIP 36 COMPLETE (RUBBER GRIP)	1	PC.
	Opt.		194514-0	VIBRATION PROOF GRIP F/4" - 6", PKG	1	PC.
A03			782424-9	LOCK NUT WRENCH 28	1	PC.
A04			123145-8	5" TOOLLESS WHEEL COVER ASSY (D.C.W)	1	PC.
		INC.				
			213009-5	O RING 4	1	PC.

Item No	Type	Sub	Part No.	Description	Qty	Unit
		INC.	265180-1	PAN HEAD SCREW M5X16	1	PC.
A05			224448-4	INNER FLANGE 45B	1	PC.
A06			224568-4	LOCK NUT 5/8-45	1	PC.
A07			196845-3	TUCKPOINTING DUST GUARD ATTACHMENT F/5"	1	PC.
A08			193048-0	SANDING LOCK NUT 5/8-48,PKGED	1	PC.
A09			743015-1	RUBBER PAD F/5" GRINDER	1	PC.
A10			122911-0	CUT-OFF WHEEL GUARD F/5"	1	PC.
A11			224399-1	INNER FLANGE F/C.O.W WHEEL COVER		
A12			224568-4	LOCK NUT F/C.O.W WHEEL COVER		
A13			-----	18V LI-ION BATTERY		
A14			-----	BATTERY CHARGER		
A15			-----	LI-ION BATTERY ACCESSORIES		
A16			821010-X	TOOL BAG	1	PC.
A17			B-46165-25	5" THIN KERF C.O.W 25PC/SET	1	SET

### SERVICE CHANGES

#### 1. Changes on Spiral bevel gear 10 and Spiral bevel gear 37

(T/I# C3594)

Item No.	Description	Type 1	Type 2
7	Spiral bevel gear 10	227541-3	226861-2
18	Spiral bevel gear 17	227641-9	226862-0

Above parts are interchangeable as a set.

#### 2. Changes on Stator and Controller

(T/I#DE703)

Item No.	Description	Type 1	Type 2
1	STATOR	629203-3	629B61-9
48	CONTROLLER	-----	620K34-9
49	PAN HEAD SCREW M2X6	-----	652119-7

Above parts are completely interchangeable as a set.

See T/I#DE703 for repair and wiring